

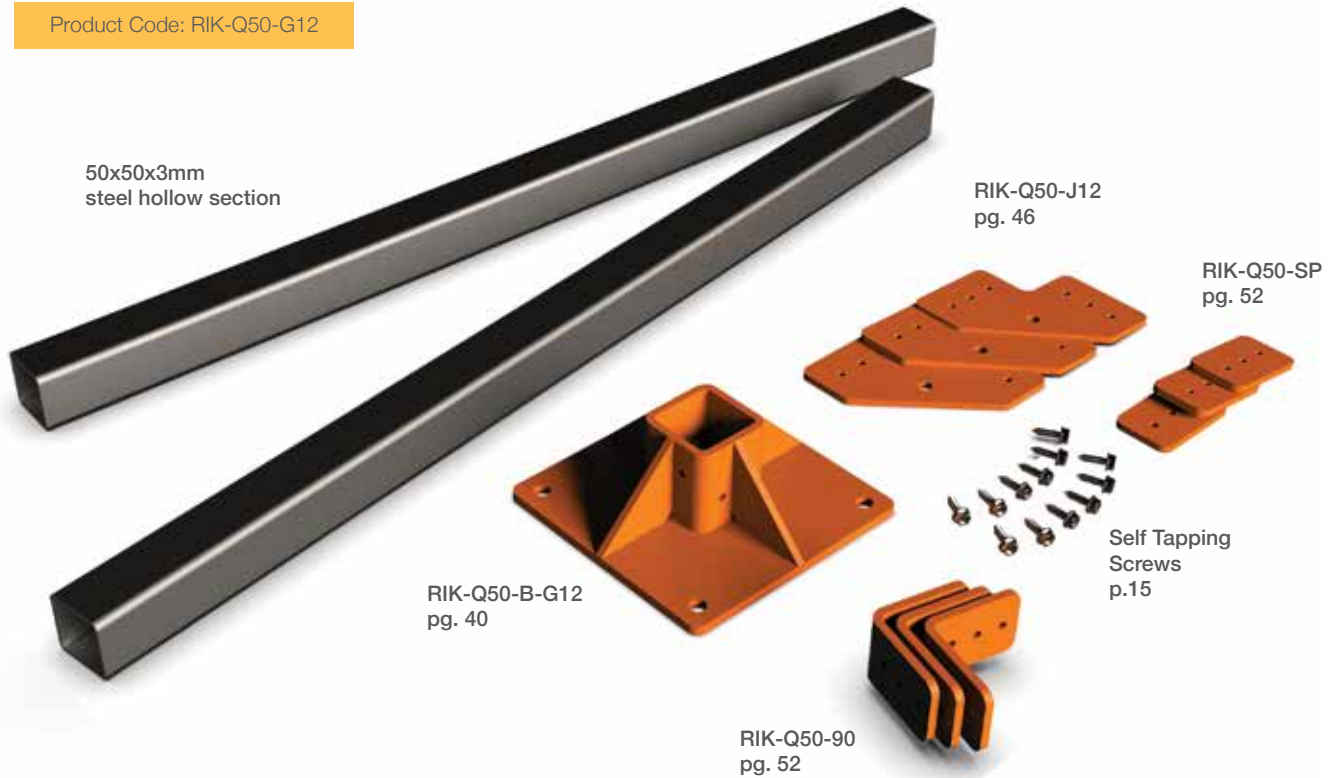




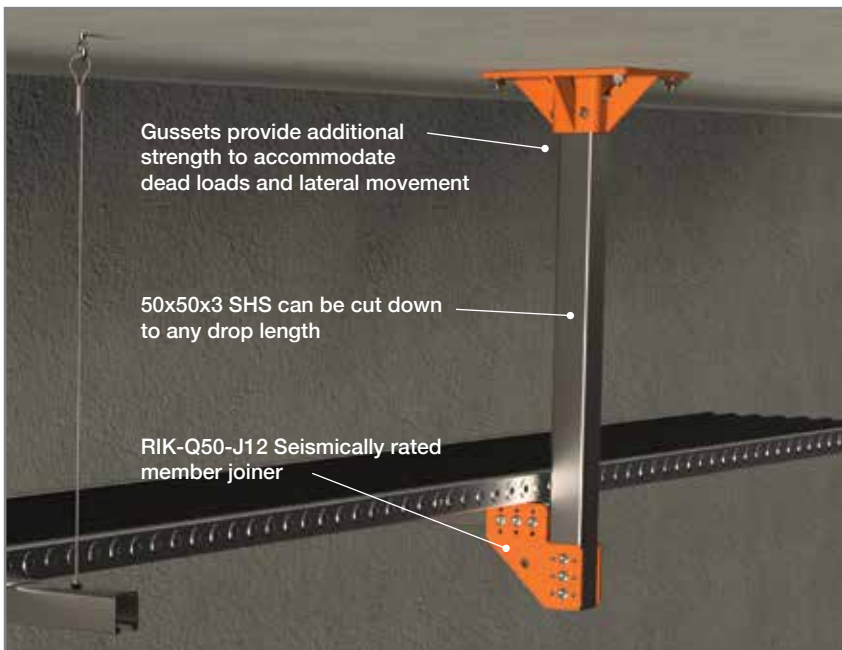
RIK-B50-G12 Kit

RIK-B50-G12 KIT

Product Code: RIK-Q50-G12



Features & Benefits



RIK-B50-G12 KIT

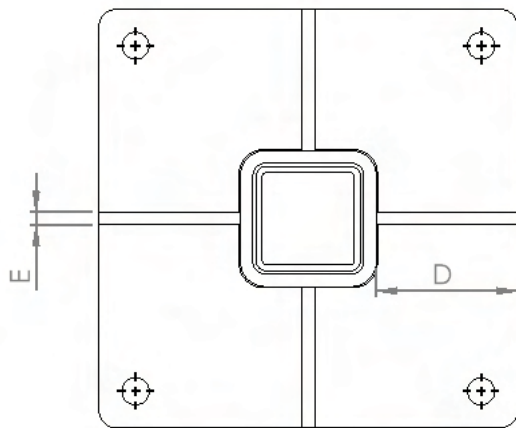
Product Details

Part code	SHS (50x50x3) Length (mm)	Anchor Hole Centres	M10 Load Cap Anchor	M12 Load Cap Anchor
1m	1000	165	1.92kn / 196kg	3.29kn / 336kg
1.5m	1500	165	1.54kn / 157kg	2.45kn / 250kg
2m	2000	165	1.27kn / 130kg	2.19kn / 224kg

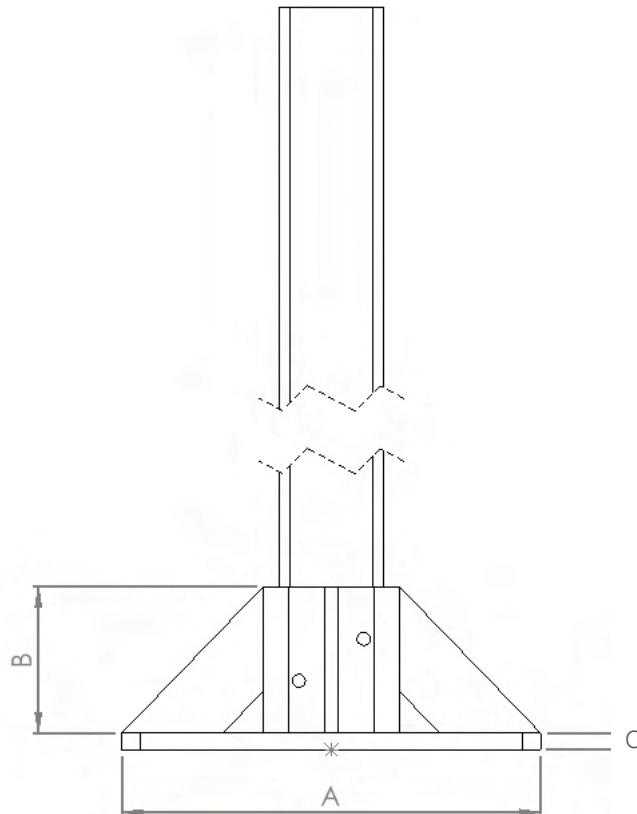
Calculation is for ETA-C1 Power BT2 Anchors at max embedment:

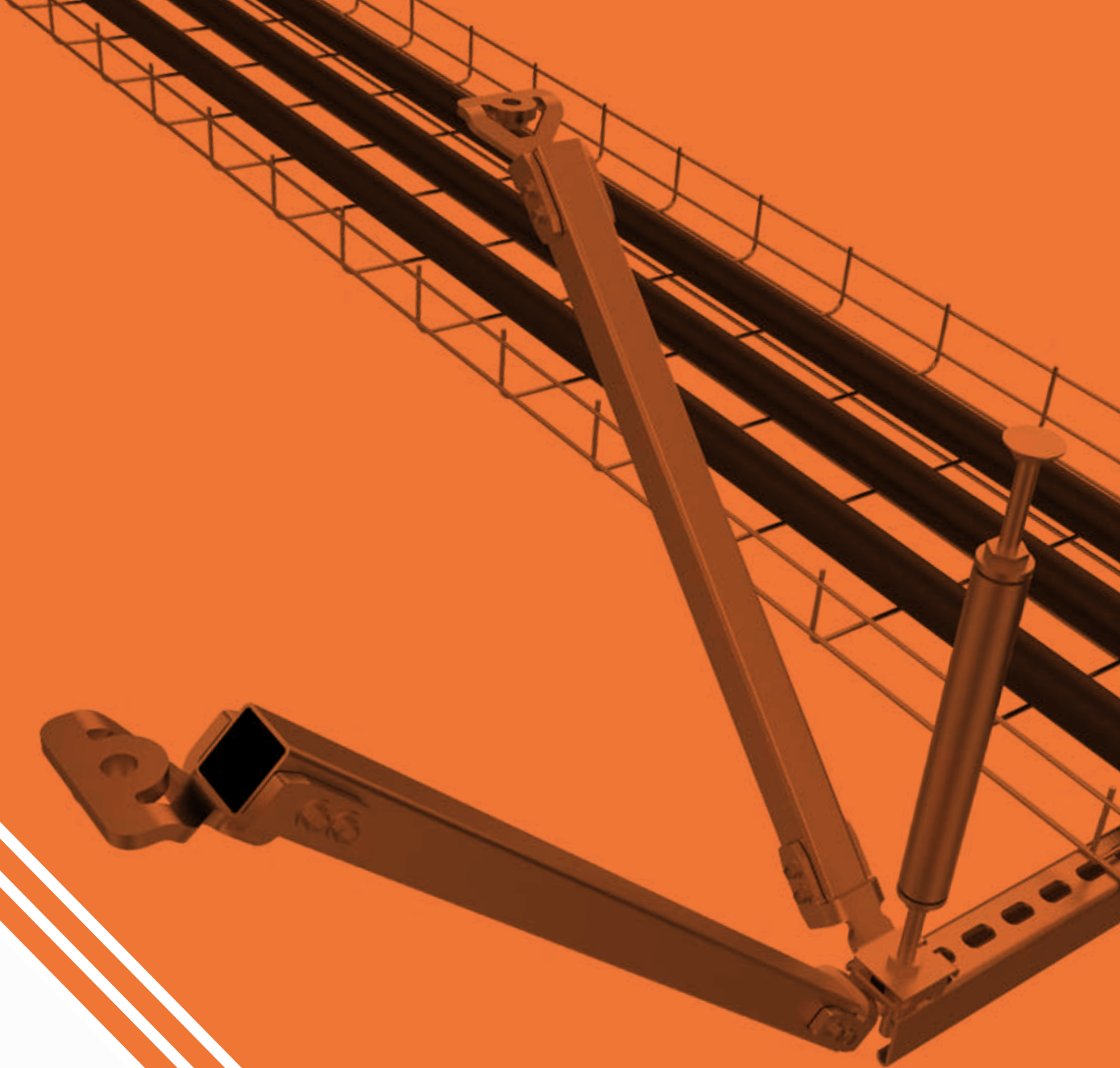
M10 - 75mm Embedment
M12 - 85mm Embedment

200mm Slab Thickness and 32MPa Concrete



Dimensions (mm)				
A	B	C	D	E
200	70	8	68	6





RIKTA

SEISMIC SOLUTIONS

Discover **Rikta** for
your next project

Rikta Seismic Solutions
3 Corporate Avenue, Rowville,
Victoria, 3178, Australia

t: +61 3 9754 0333
f: +61 3 9754 6071
e: info@riktaseismic.com
w: www.riktaseismic.com