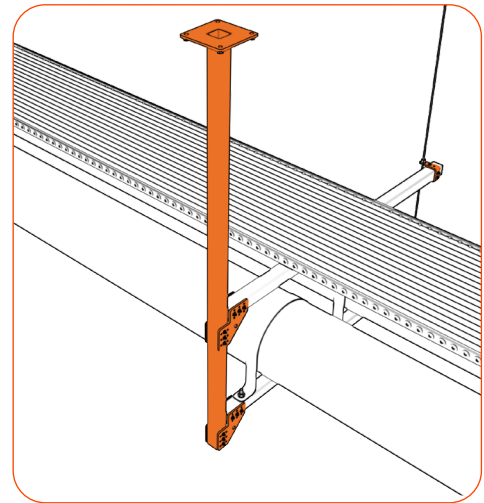


Product Code: RIK-B50-B10

## DESIGN SPECIFICATIONS

- Pre-fabricated bollards can be easily cut down to any lengths (Base length:1000/1500mm).
- Ample surface area to screw, drill or machine the bollards to suit any application.
- Extendable by telescoping smaller tube sizes.
- Compatible with a variety of RIK-Q50 accessories to find the optimal installation configuration for your needs.
- Strengthen and create sturdy cantilever joints effortlessly using our specialized RIK-Q50 product range.

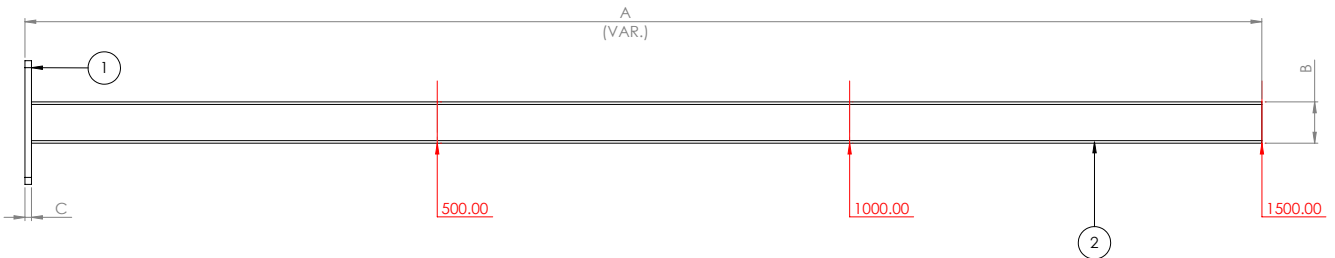


## PRODUCT FINISHES

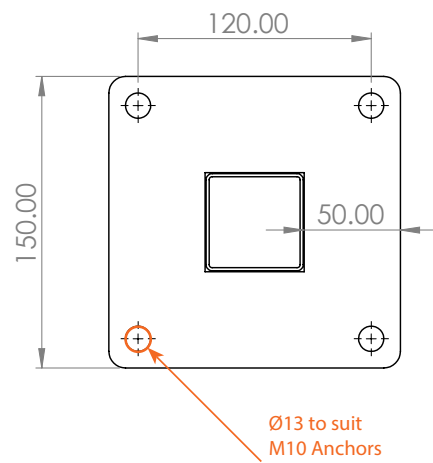


HDG

## PRODUCT DETAILS



Product	A	B	C	Capacity
B50-B10-1500	1500	50	8	1.62kN / 165kgf
B50-B10-1000	1000	50	8	2.45kN / 250kgf
»	500	50	8	4.9kN / 500kgf
Materials				
①	AS C350LO SHS			
②	AS G350 Mild Steel			



» Bollards can be cut down to any specified length.

Product Code: RIK-B50-B10

## FASTENERS & ACCESSORIES

### RIK-Q50-J

Joiners



Q50-J12



Q50-J13

### RIK-Q50-M

Mounting Brackets



Q50-M-D



Q50-M



Q50-M-C



Q50-M-S

### FASTENERS



UC FBS II M8



FAZ II M8 & M10