

Product Code: RIK-Q75-G16

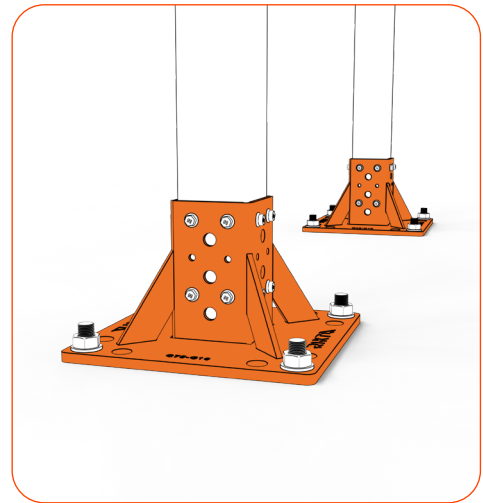
DESIGN SPECIFICATIONS

- Designed with lateral seismic loads in mind.
- Accepts 75x75SHS with a 3.0 mm minimum thickness.
- M16 Anchor holes optimally spaced to ensure maximum capacity.
- Reinforced with gussets for increased seismic lateral load capacity.
- Fast and simple installation via self drilling screws (TK14-25) or M12 Bolts.

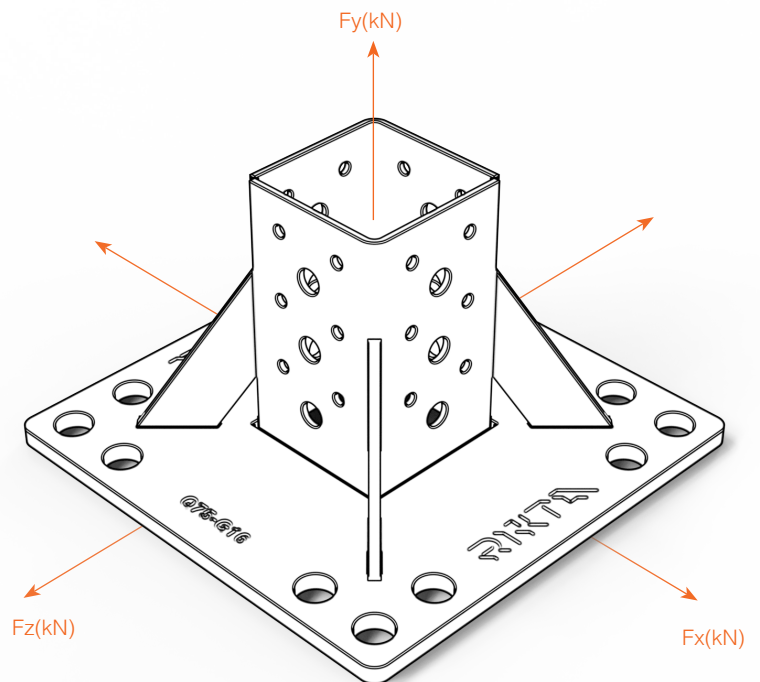
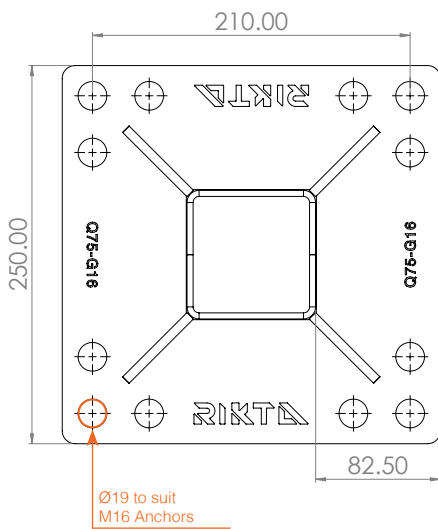
PRODUCT FINISHES



HDG



PRODUCT DETAILS

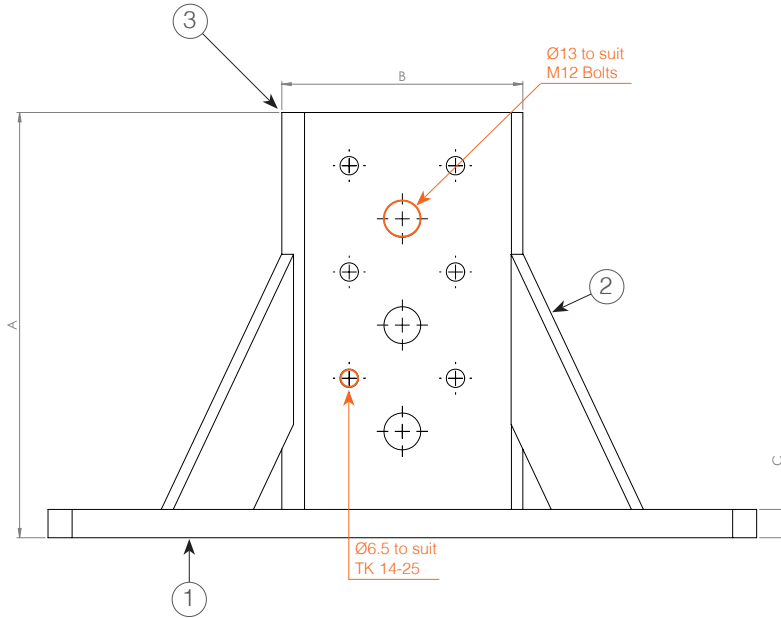


SAFE WORKING LOADS

Direction of Force	Peak Load (kN)
$F_x(kN)$	22.42
$F_y(kN)$	48.64
$F_z(kN)$	22.42

Product Code: RIK-Q75-G16

PRODUCT DETAILS



Dimensions (mm)	
A	150
B	85
C	10
Materials	
①	AS G350 Mild Steel
②	AS G350 Mild Steel
③	AS G250 Mild Steel

FASTENERS & ACCESSORIES

RIK-Q75 Joiners



Q75-J12

Q75-J22



Q75-J22L



Q75-J12L



Q75-J13

FASTENERS



UC FBS II M10



FAZ II M10 & M12



TEK Screw 14g x 25mm



M12 Bolt & Nut